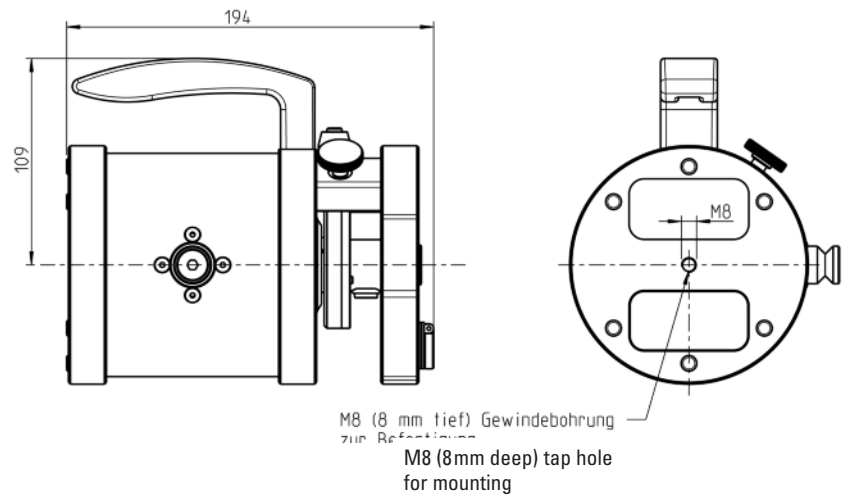


# T330

Self levelling Sweep Laser



Part No.: BG 830203



The T330 is a precision Laser self-levelling Laser Transmitter. The unique fiberoptical laser source is exactly round and of Gaussian intensity distribution. This facilitates exact position measurements. The T330 generates two orthogonal optically coupled Laser beams. It defines a reference plane in spaces for a wide range of geometrical measurements from simple Levelling application, straightness or flatness to roll parallelism.

## Technical Data

<b>Laser protection class:</b>	2 (EN 60825-1)	<b>Weight:</b>	2400 g
<b>Interface:</b>	RS 485 & IR	<b>Static temperature coefficient:</b>	0,001 mRad/K
<b>Measuring distance:</b>	1 to 50 metres	<b>Dynamic temperature coefficient:</b>	0,005 mRad/K/min
<b>Prism error:</b>	< 0,02 mRad	<b>Temperature:</b>	0°C to +50°C
<b>Step error:</b>	± 0,05 mm	<b>Air humidity:</b>	20% to 80%
<b>Conical error:</b>	± 0,01 mRad	<b>Power supply:</b>	8 batteries 1.5 V, type Mignon (AA/LR6) or A/C adapter
<b>Self-levelling accuracy:</b>	± 0,02 mRad	<b>Running time:</b>	> 10 hours permanent operation with batteries / rechargeable batteries (depending on capacity)
<b>Dimensions:</b>	125 x 170 x 185 mm		

**CE** All Status Pro Laser and Receiver Instruments are developed and manufactured according to the following CE Standards: EN 55 011, EN 55 022, EN 61 000-4-2, EN 61 000-4-3, EN 60 335.

This document was prepared with the utmost of care. Changes and errors cannot be completely avoided.

TD1051 E 03/2012

Status Pro Maschinenmesstechnik GmbH  
Mausegatt 19 · D-44866 Bochum  
Phone: + 49 (0) 2327 - 9881 - 0  
Fax: + 49 (0) 2327 - 9881 - 81  
info@statuspro.com · www.statuspro.com

Branch office south east  
Industriestraße 11 · D-85609 Aschheim  
Phone: +49 (089) 904864-0  
Fax: +49 (089) 904864-19

 **Status Pro**  
maschinenmesstechnik